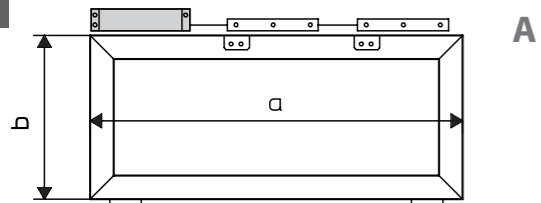
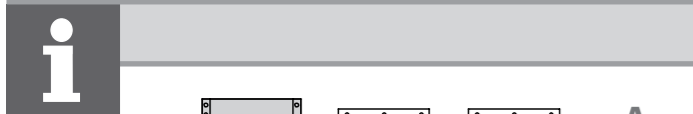


E 212

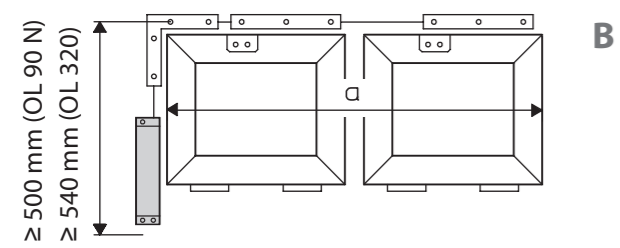


153444-01



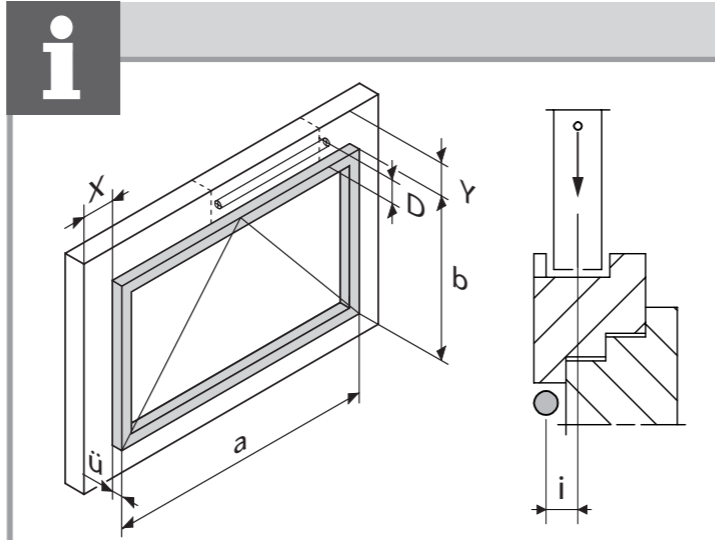
A

i+ 40444-EP-003 (OL 90 N)
40424-EP-030 (OL 320)

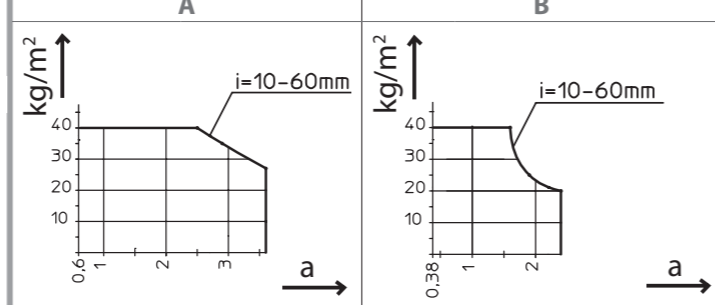


B

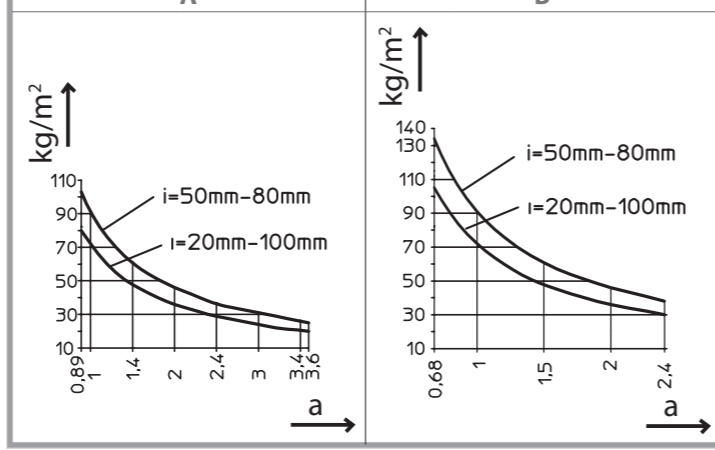
i+ 40444-EP-004 (OL 90 N)
40424-EP-029 (OL 320)



OL 90 N	A	B
a	≥ 600 mm	≥ 380 mm
b	≥ 250 mm	≥ 250 mm
Y	D+23 mm	D+9 mm
X	-	D+23 mm
	≤ 4	≤ 3
b ≥ 250 mm	D = 16 mm	
b ≥ 300 mm	D = 14 mm	
b ≥ 400 mm	D = 12 mm	
i	10 mm - 60 mm	



OL 320	A	B
a	≥ 890 mm	≥ 680 mm
b	≥ 400 mm	≥ 400 mm
Y	D+19 mm	D+13 mm
X	-	D+19 mm
	≤ 4	≤ 2
b ≥ 400 mm	D = 23 mm	
b ≥ 500 mm	D = 21/23 mm	
b ≥ 600 mm	D = 19/21/23 mm	
b ≥ 800 mm	D = 17/19/21/23 mm	



1

i+ OL 90 N
ID 030364

i+ OL 320
ID 130738

2

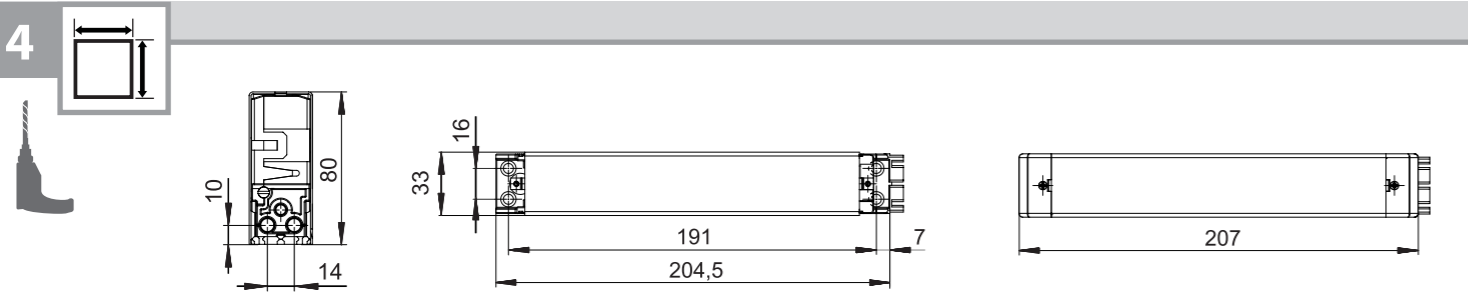
3

i+ ID 151531

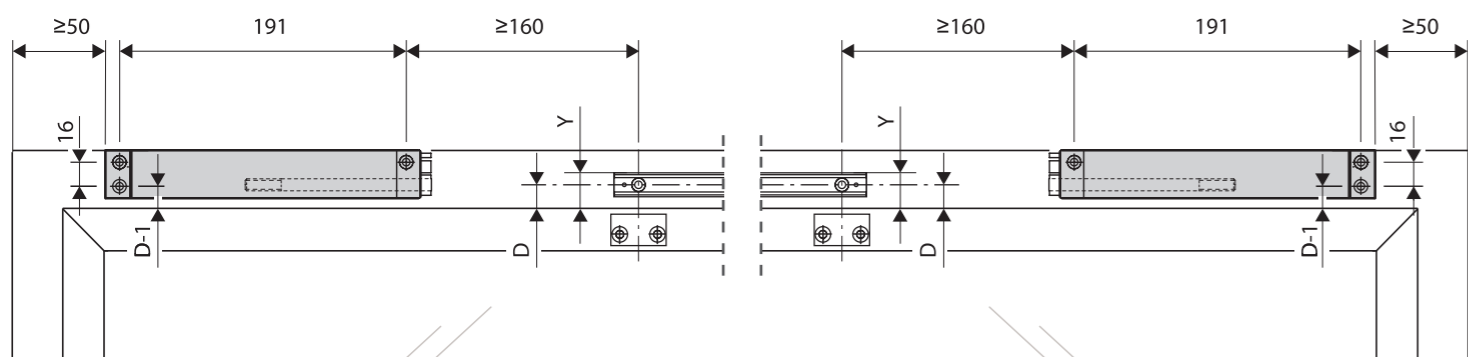
1x = 0,8 mm
42 ← 52 → 70

OL 90 N	max. 52 mm	0 mm
OL 320	max. 70 mm	+16 mm = 20x

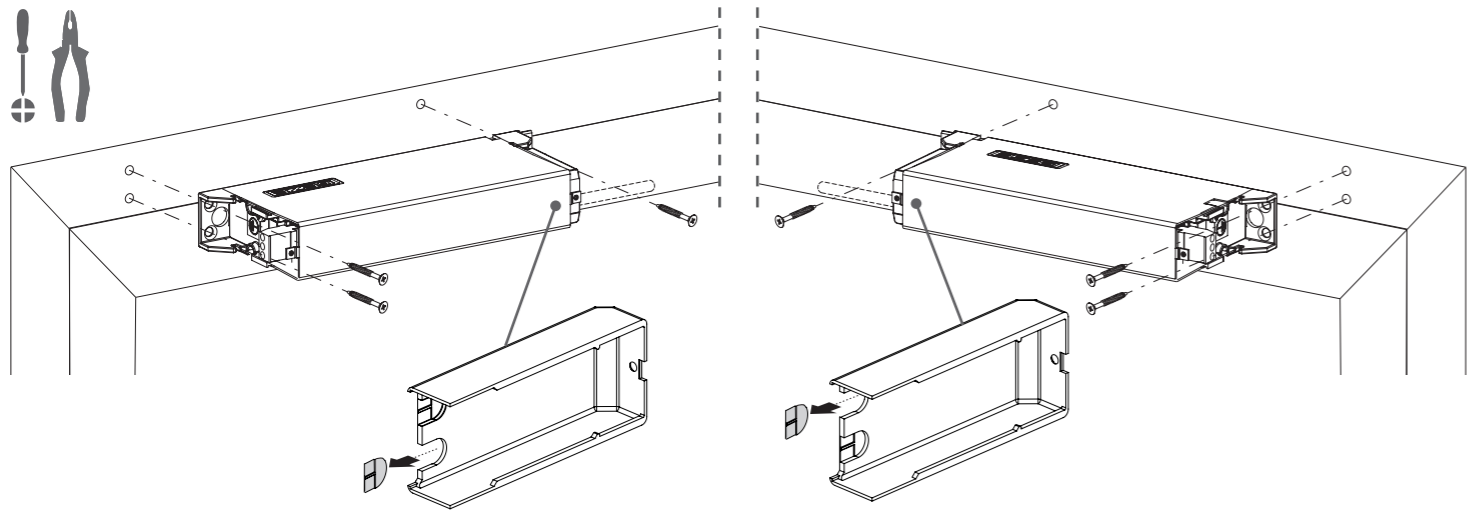
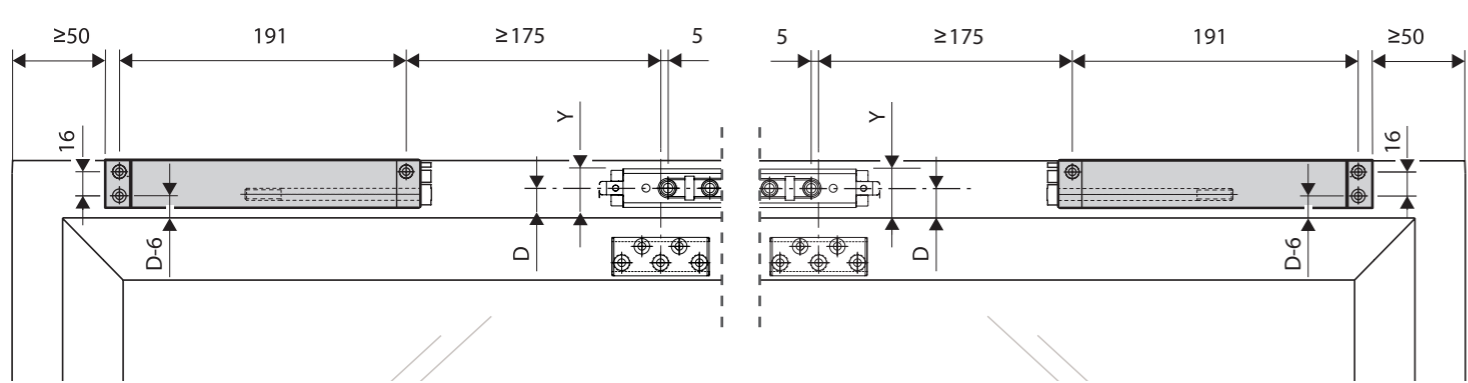
4



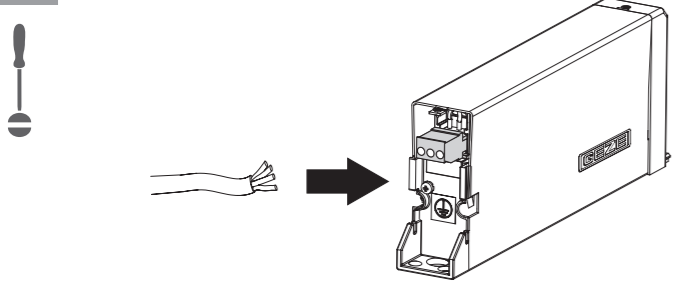
OL 90 N



OL 320

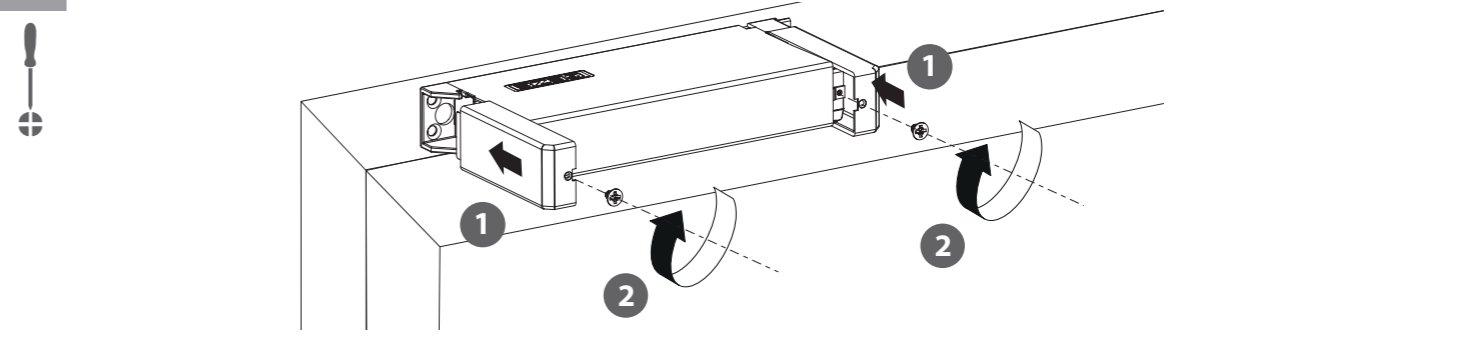


5

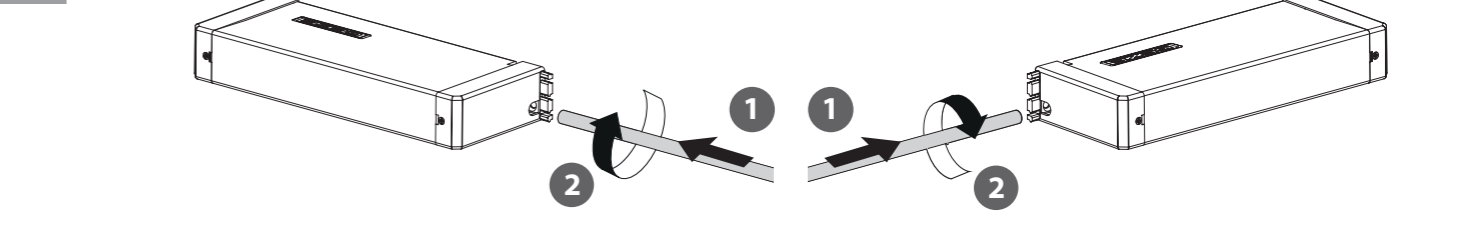


i+ ID 151531

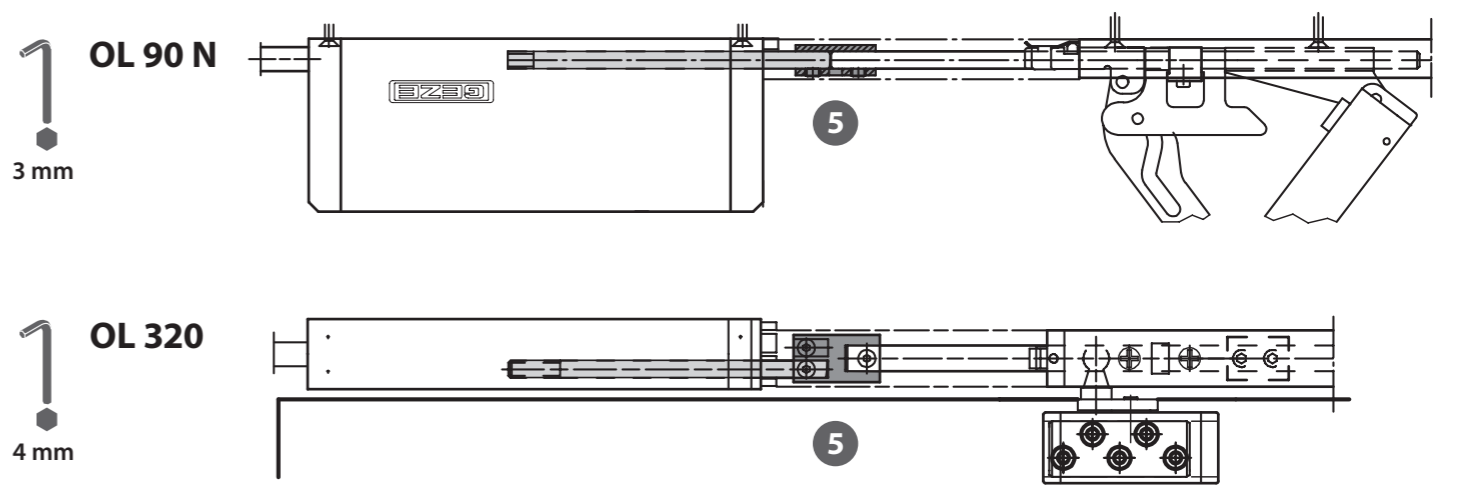
6



7



[mm]		[mm]		
	OL 320		OL95 min	OL95 max
42	198	42	162	172
45	215	45	178	190
50	241	50	200	211
55	264	54	219	227
60	285			
66	306			
70	320			



GEZE GmbH
 Reinhold-Vöster-Strasse 21-29
 71229 Leonberg
 Germany

Tel.: 0049 7152 203 0
 Fax: 0049 7152 203 310
 www.geze.com

