

# **TSA160NT TANDEM**

**DCU5 door controller  
for automatic swing doors, with spring-operated closing mechanism**

## **Additional connection plan**

Valid from  
Software Version DCU5 V2.1  
Hardware Revision DCU500 Rev B

1	Notes.....	2
2	Connection DCU5 Master – DCU5 Slave.....	2
3	Limit switches and internal program switch.....	3
4	Power supply connection.....	5
5	Smoke control centre to TSA160NT Tandem.....	5

## 1 Notes

- This connection diagram applies in addition to connection diagram DCU5, Mat. No. 125014.
- Two drives TSA 160 NT are mechanically connected to form a tandem drive.
- The safety and actuation units must be connected at the DCU5 Master Control unit.
- The DCU5 control units can be configured with the buttons S1 and S2 or by using the Display program switch.
- Configuration at the Master- und Slave-control unit:

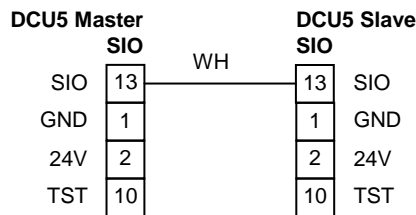
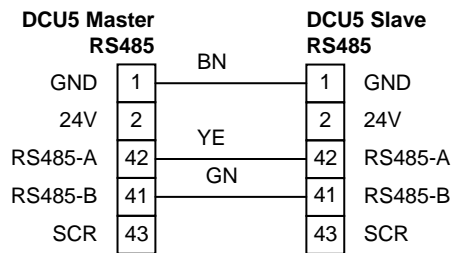
### DCU5 Master

EF = 01  
 SI = according to desired function  
 SO = 01  
 TE = depending on the used sensor

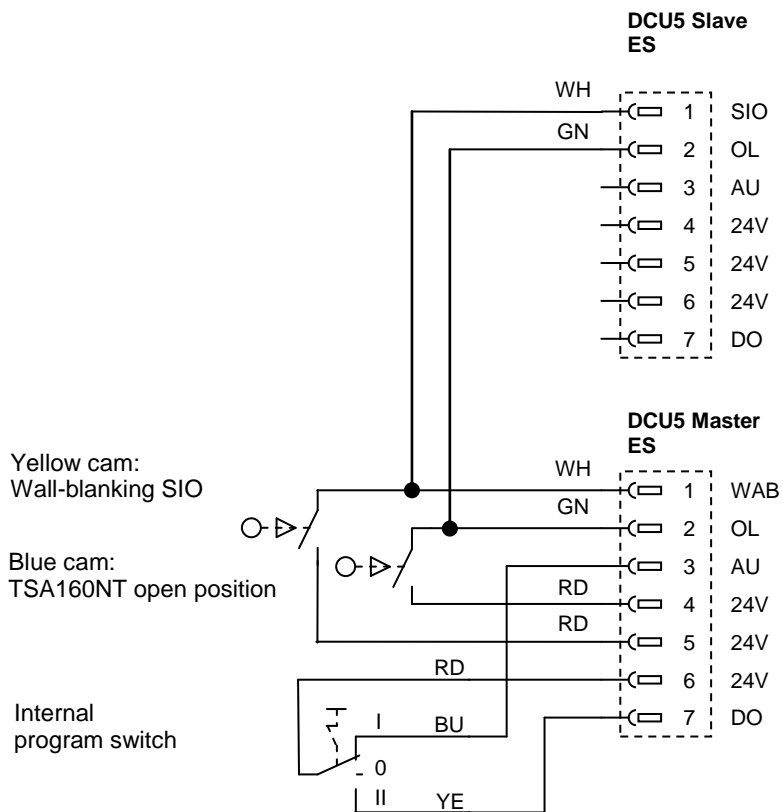
### DCU5 Slave

EF = 02  
 SI = 00  
 SO = 01  
 TE = 00

## 2 Connection DCU5 Master – DCU5 Slave



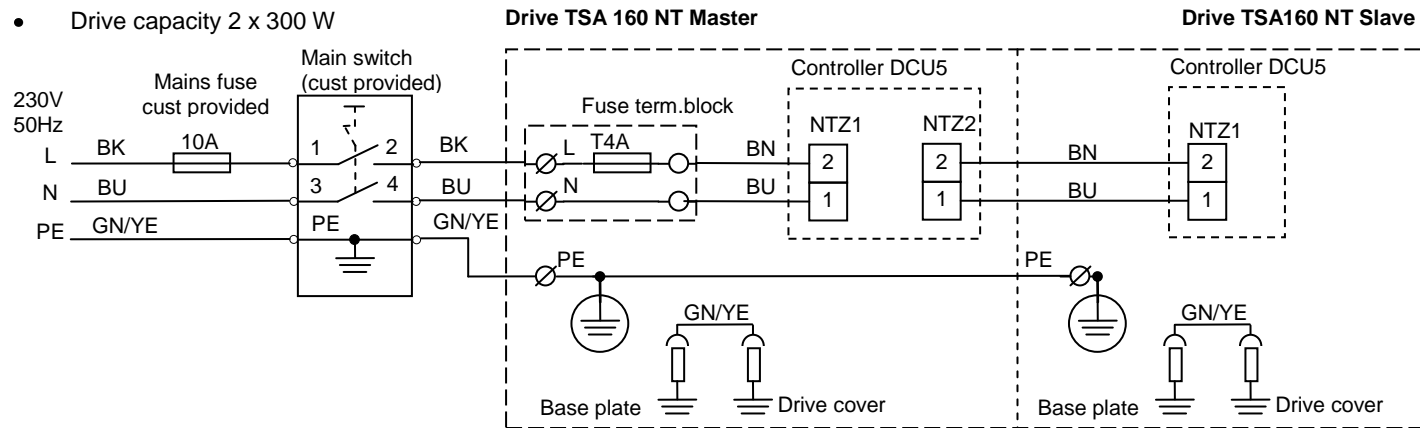
### 3 Limit switches and internal program switch



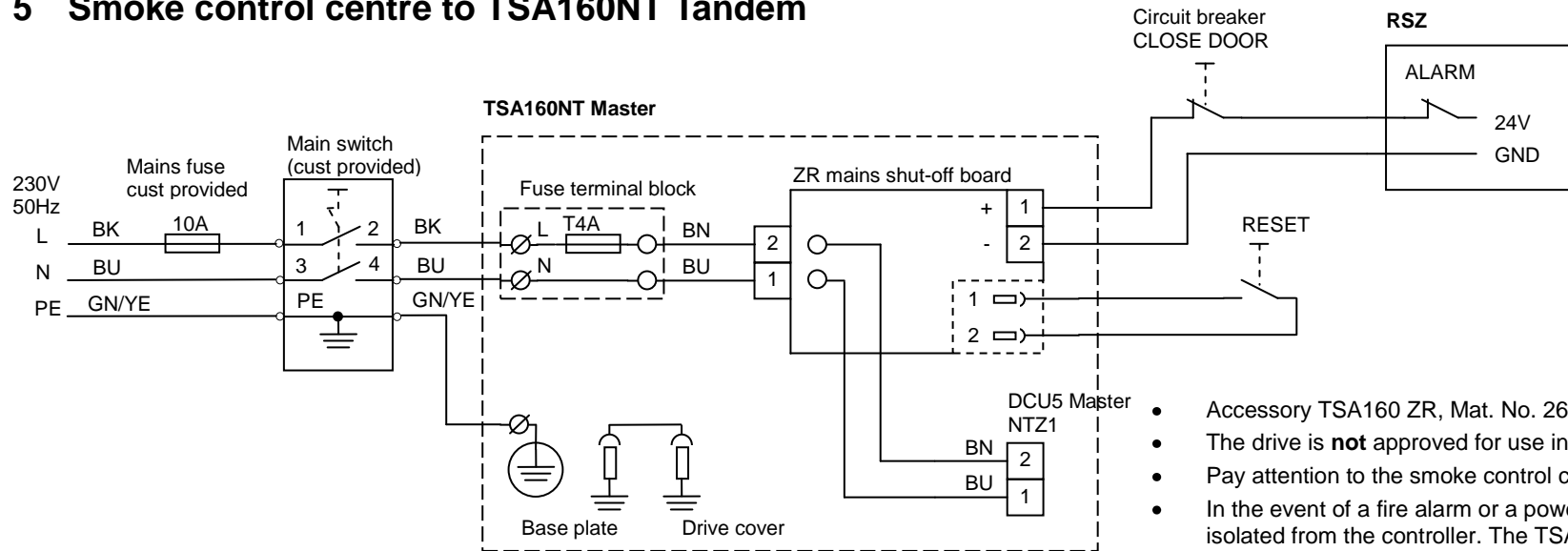


## 4 Power supply connection

- Drive capacity 2 x 300 W



## 5 Smoke control centre to TSA160NT Tandem



- Accessory TSA160 ZR, Mat. No. 26928
- The drive is **not** approved for use in fire protection areas
- Pay attention to the smoke control centre installation and operating instructions.
- In the event of a fire alarm or a power failure, the door opener and the motor are isolated from the controller. The TSA 160 NT TANDEM closes using spring power.
- After connection to the power supply, the reset switch must be activated.
- The mains shut-off board applies a load of approx. 25 mA to the smoke control centre.